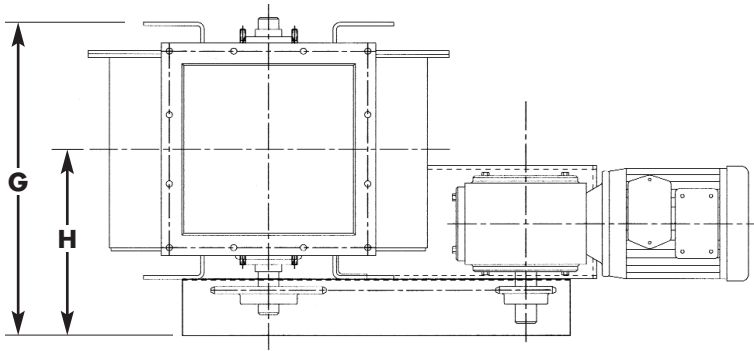




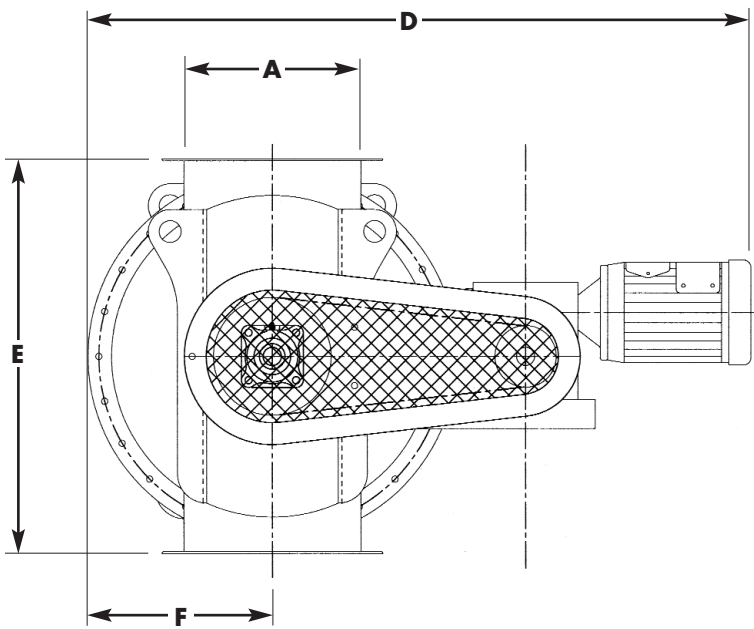
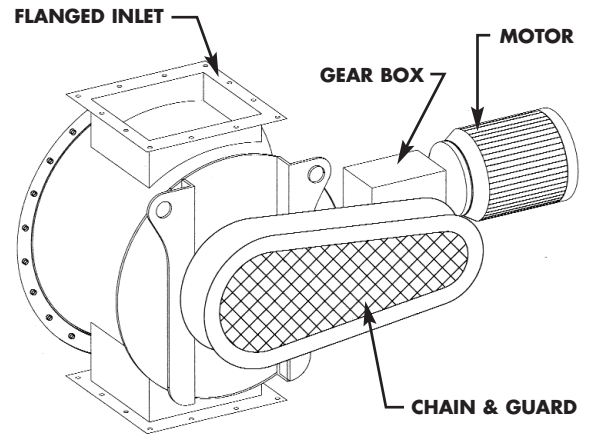
Aircon Corporation
 P.O. Box 80446 • Memphis, Tennessee 38108
 (901) 452-0230 • FAX (901) 452-0564
 E-mail: sales@aircon-corporation.com
 Website: www.aircon-corporation.com

**Flex-Tip "AN"
 Square Airlocks**

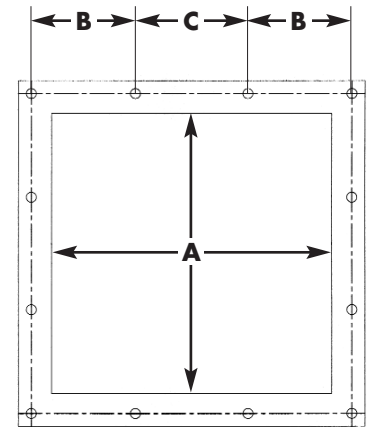
EFFECTIVE:
January 1, 2002
 SUPERSEDES: January 1, 2000



TOP VIEW



SIDE VIEW



INLET & OUTLET FLANGE

Model #	A	B	C	D	E	F	G	H	Qty. Bolts	Shaft Dia.	Motor (HP)	Capacity (CF/REV)	RPM	Shipping Wt. (lbs.)
ANS-8	8 1/8"	4 15/16"	* 0"	36 1/4"	20 1/8"	9 1/8"	17 1/4"	10 3/8"	8	1 7/16"	1/2	0.64	21.1	244
ANS-10	10 1/8"	4"	4"	40 1/2"	23 1/8"	10 5/8"	20"	11 7/8"	12	1 7/16"	3/4	1.34	19.9	320
ANS-12	12 1/8"	4 1/2"	4 7/8"	45 1/2"	27"	12 5/8"	22 1/2"	13 1/4"	12	1 11/16"	1	2.46	18.6	430
ANS-16	16 1/8"	6"	5 3/4"	55 3/4"	35"	16 1/2"	26 1/2"	15 3/8"	12	1 15/16"	2	6.20	17.4	690

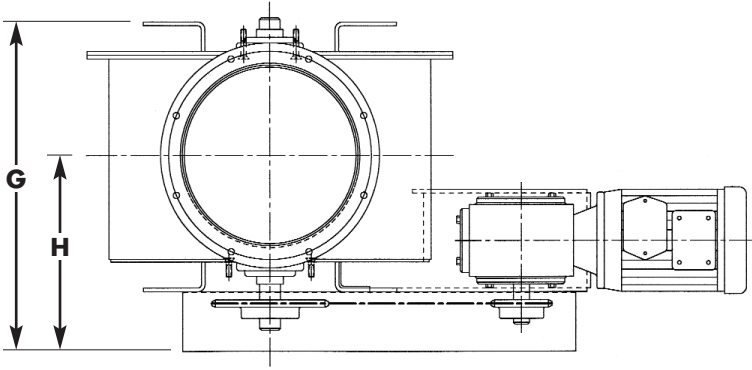
NOTE: All bolt holes are 7/16" diameter • * AN-8 Has only 8 holes equally spaced



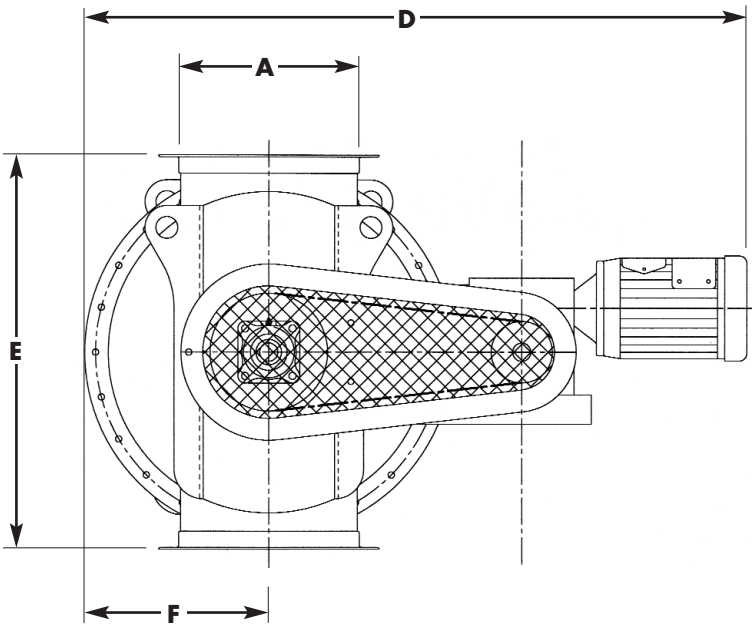
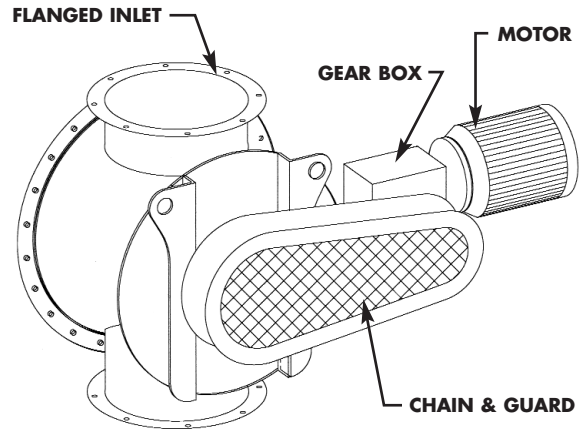
Aircon Corporation
 P.O. Box 80446 • Memphis, Tennessee 38108
 (901) 452-0230 • FAX (901) 452-0564
 E-mail: sales@aircon-corporation.com
 Website: www.aircon-corporation.com

Flex-Tip "AN" Round Airlocks

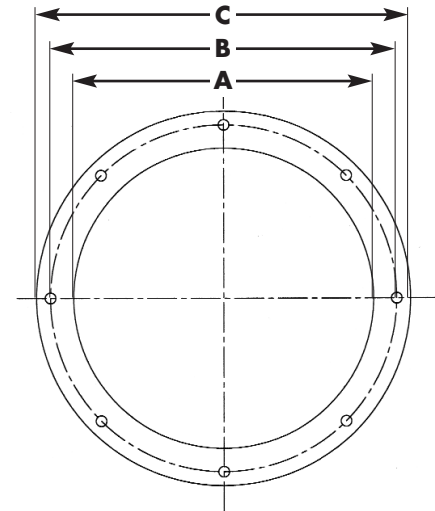
EFFECTIVE:
January 1, 2002
 SUPERSEDES: January 1, 2000



TOP VIEW



SIDE VIEW



INLET & OUTLET FLANGE

Model #	A	B	C	D	E	F	G	H	Qty. Bolts	Shaft Dia.	Motor (HP)	Capacity (CF/REV)	RPM	Shipping Wt. (lbs.)
AN-8	8 1/8"	9 9/16"	10 3/8"	36 1/4"	20 1/8"	9 1/8"	17 1/4"	10 3/8"	6	1 7/16"	1/2	0.64	21.1	244
AN-10	10 1/8"	11 13/16"	12 7/8"	40 1/2"	23 1/8"	10 5/8"	20"	11 7/8"	6	1 7/16"	3/4	1.34	19.9	320
AN-12	12 1/8"	14"	15 1/8"	45 1/2"	27"	12 5/8"	22 1/2"	13 1/4"	8	1 11/16"	1	2.46	18.6	430
AN-16	16 1/8"	18"	19 1/8"	55 3/4"	35"	16 1/2"	26 1/2"	15 3/8"	8	1 15/16"	2	6.20	17.4	690
AN-20	20 1/8"	21 3/4"	23 1/8"	68 1/4"	43 1/2"	20 3/4"	31 3/8"	17 7/8"	12	2 3/16"	3	12.6	17.4	1070
AN-24	24 1/8"	25 7/8"	27 1/8"	74 3/8"	49 1/2"	23 3/4"	35 3/8"	19 7/8"	12	2 3/16"	3	21.0	17.4	1215
AN-30	30 1/8"	32 3/8"	34 1/8"	86 1/4"	63 1/2"	29 3/4"	44 3/8"	24 7/8"	16	2 15/16"	5	43.0	15.5	2155

NOTE: All bolt holes are 7/16" diameter, except AN-8 (3/8" diameter)