



NOTE: INFORMATION ON THIS PAGE FOR QUOTATION PURPOSES ONLY, NOT FOR CONSTRUCTION UNLESS CERTIFIED. DATA SUBJECT TO CHANGE WITHOUT NOTICE.

STANDARD FEATURES OF AIRCON COMPRESSED AIR SQUARE BIN VENTS

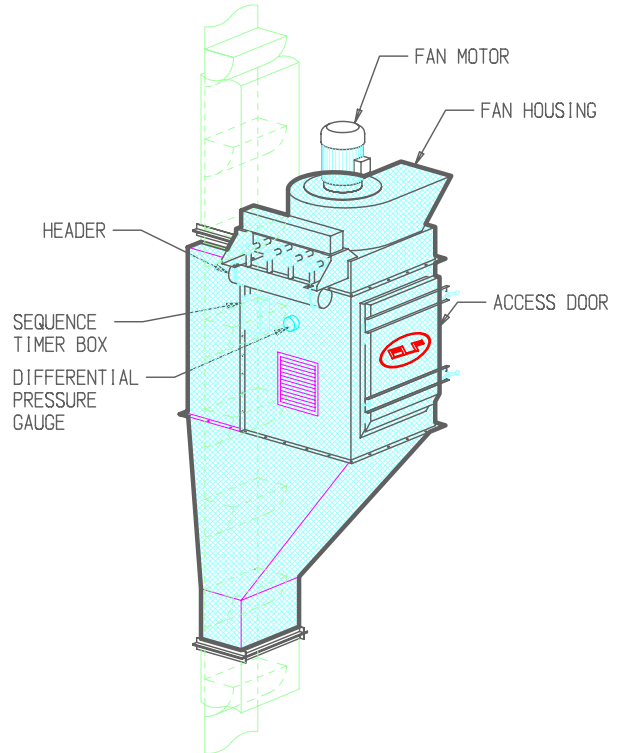
- \* 12 GA mild steel bolted construction
- \* Lifting lugs on clean air plenum
- \* 4" or 6" SCH 40 pipe header for compressed air reservoir
- \* 3/4" or 1" diaphragm valves
- \* Blower outlet and header orientation per job
- \* NEMA 4 sequence timer enclosure
- \* 3/4" NPT thermocouple coupling in plenum
- \* Differential pressure gage with tubing connected to couplings in side of unit (above and below tube sheet)
- \* Metal prepared with rust-inhibitive primer on both interior and exterior surfaces
- \* Unit painted gray
- \* Fabricated grating in bottom of unit to facilitate bag removal
- \* 12 oz. singed polyester, copper wire grounded, bottom-removal bags with quick-release, stainless steel clamp bands
- \* Bottom-removal galvanized bag cages with aluminum venturies
- \* Body hinged access door
- \* Two sets of installation & maintenance manuals

OPTIONAL FEATURES OF AIRCON COMPRESSED AIR SQUARE BIN VENTS

- \* Pressure relief ventilation panels
- \* NEMA 9 explosion-proof solenoid valves and enclosures
- \* 16 oz. singed polyester bags or bags with carbon impregnated fibers to dissipate static electricity. Other types of filter media are available.
- \* Epoxy paint or regular paint per specified color
- \* Thermocouple to monitor temperature of discharge air
- \* Pressure gage/ sequence timer automatic controller
- \* Stainless steel or epoxy-coated carbon steel bag cages

OPERATING REQUIREMENTS FOR AIRCON COMPRESSED AIR SQUARE BIN VENTS

- \* 115 VAC, 60 Hz. single phase current required for sequence timer with adjustable on time (0.05 to 0.50 sec.) and off time (1.5 to 30 sec.)
- \* 230/460 VAC, 60 Hz. three phase current required for TEFC motor mounted on top of blower
- \* 90 to 100 PSIG clean, dry, uncontaminated compressed air supply required



model #	leg capacity (BPH)	number of bags	length of bags	filter media cloth area [ sq ft ]	compressed air required [ SCFM ]	shipping wt. (NO options) [ lbs ]	CFM
ELF 9-4	4000	9	4'-0"	60	3.8	610	930
ELF 9-5	5000	9	5'-0"	70	3.8	720	1367
ELF 16-4	6000	16	4'-0"	100	5.1	830	1620
ELF 16-5	7500	16	5'-0"	120	5.1	1070	1850
ELF 25-5	8500	25	5'-0"	190	6.4	1350	2300
ELF 25-6	10,000	25	6'-0"	230	6.4	1560	2800
ELF 36-5	15,000	36	5'-0"	270	7.7	1980	3750
ELF 36-6	18,000	36	6'-0"	330	7.7	2210	4300
ELF 49-6	22,000	49	6'-0"	450	8.9	2400	5600
ELF 49-8	25,000	49	8'-0"	600	8.9	2690	6500
ELF 64-8	30,000	64	8'-0"	443	10.2	3500	7800
ELF 64-10	35,000	64	10'-0"	590	10.2	3880	8600



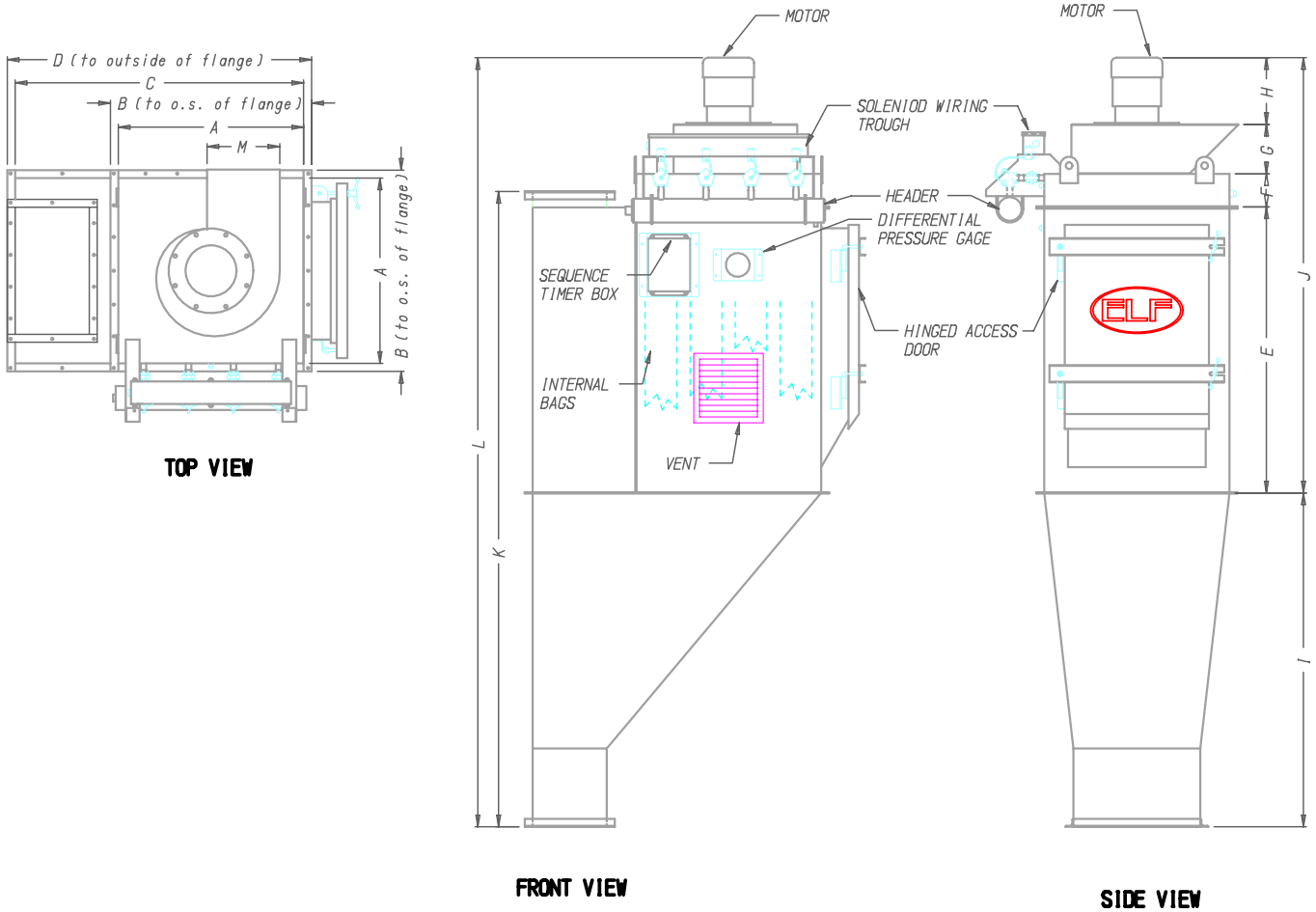
# CORPORATION

P.O. BOX 8446  
 MEMPHIS, TENNESSEE 38108  
 PH. (901) 452-0230  
 FAX (901) 452-0264

## COMPRESSED AIR SQUARE "ELF" ELEVATOR LEG FILTER

EFFECTIVE: AUGUST 1, 1996

NOTE: INFORMATION ON THIS PAGE FOR QUOTATION PURPOSES ONLY, NOT FOR CONSTRUCTION UNLESS CERTIFIED. DATA SUBJECT TO CHANGE WITHOUT NOTICE.



model #	A	B	C	D	E	F	G	H	J	M	motor size HP
ELF 9-4	27"	30"	47"	50"	54"	6 1/2"	7 15/16"	10 3/16"	6' -8 1/8"	13 3/4"	2
ELF 9-5	27"	30"	47"	50"	5' -6"	6 1/2"	7 15/16"	10 3/16"	8' -8 1/8"	13 3/4"	2
ELF 16-4	35"	38"	55"	58"	54"	6 1/2"	9 13/16"	12 5/16"	7' -0 1/8"	13 3/4"	3
ELF 16-5	35"	38"	55"	58"	5' -6"	6 1/2"	9 13/16"	12 5/16"	9' -0 1/8"	13 3/4"	3
ELF 25-5	44"	47"	5' -4"	5' -7"	5' -6"	6 1/2"	8 15/16"	13 5/16"	9' -0 1/4"	16 7/8"	5
ELF 25-6	44"	47"	5' -4"	5' -7"	6' -6"	6 1/2"	8 15/16"	13 5/16"	11' -0 1/4"	16 7/8"	5
ELF 36-5	54"	57"	6' -2"	6' -5"	5' -6"	12"	13 3/8"	15 7/8"	10' -0 3/4"	20 1/2"	10
ELF 36-6	54"	57"	6' -2"	6' -5"	6' -6"	12"	13 3/8"	15 7/8"	12' -0 3/4"	20 1/2"	10
ELF 49-6	5' -4"	5' -8"	7' -0"	7' -4"	6' -6"	12"	14 3/8"	17 1/4"	10' -3 5/8"	20 1/2"	15
ELF 49-8	5' -4"	5' -8"	7' -0"	7' -4"	8' -6"	12"	14 3/8"	17 1/4"	12' -3 5/8"	20 1/2"	15
ELF 64-8	6' -2"	6' -6"	7' -10"	8' -2"	8' -6"	12"	16"	19"	10' -3 5/8"	20 1/2"	15
ELF 64-10	6' -2"	6' -6"	7' -10"	8' -2"	10' -6"	12"	16"	19"	12' -3 5/8"	20 1/2"	15



COMPRESSED AIR SQUARE  
"ELF" ELEVATOR LEG FILTER

EFFECTIVE: AUGUST 1, 1996

NOTE: INFORMATION ON THIS PAGE FOR QUOTATION PURPOSES ONLY, NOT FOR CONSTRUCTION UNLESS CERTIFIED. DATA SUBJECT TO CHANGE WITHOUT NOTICE.

STANDARD FEATURES OF AIRCON COMPRESSED AIR SQUARE BIN VENTS

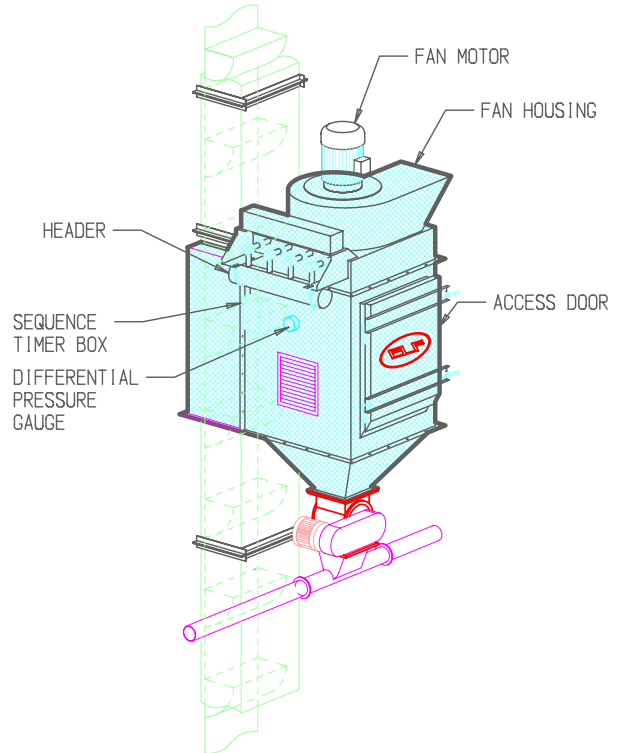
- \* 12 GA mild steel bolted construction
- \* Lifting lugs on clean air plenum
- \* 4" or 6" SCH 40 pipe header for compressed air reservoir
- \* 3/4" or 1" diaphragm valves
- \* Blower outlet and header orientation per job
- \* NEMA 4 sequence timer enclosure
- \* 3/4" NPT thermocouple coupling in plenum
- \* Differential pressure gage with tubing connected to couplings in side of unit (above and below tube sheet)
- \* Metal prepared with rust-inhibitive primer on both interior and exterior surfaces
- \* Unit painted gray
- \* Fabricated grating in bottom of unit to facilitate bag removal
- \* 12 oz. singed polyester, copper wire grounded, bottom-removal bags with quick-release, stainless steel clamp bands
- \* Bottom-removal galvanized bag cages with aluminum venturies
- \* Body hinged access door
- \* Two sets of installation & maintenance manuals

OPTIONAL FEATURES OF AIRCON COMPRESSED AIR SQUARE BIN VENTS

- \* Pressure relief ventilation panels
- \* NEMA 9 explosion-proof solenoid valves and enclosures
- \* 16 oz. singed polyester bags or bags with carbon impregnated fibers to dissipate static electricity. Other types of filter media are available.
- \* Epoxy paint or regular paint per specified color
- \* Thermocouple to monitor temperature of discharge air
- \* Pressure gage/ sequence timer automatic controller
- \* Stainless steel or epoxy-coated carbon steel bag cages

OPERATING REQUIREMENTS FOR AIRCON COMPRESSED AIR SQUARE BIN VENTS

- \* 115 VAC, 60 Hz. single phase current required for sequence timer with adjustable on time (0.05 to 0.50 sec.) and off time (1.5 to 30 sec.)
- \* 230/460 VAC, 60 Hz. three phase current required for TEFC motor mounted on top of blower
- \* 90 to 100 PSIG clean, dry, uncontaminated compressed air supply required



model #	leg capacity (BPH)	number of bags	length of bags	filter media cloth area [ sq ft ]	compressed air required [ SCFM ]	shipping wt. (NO options) [ lbs ]	CFM
ELF 9-4	4000	9	4'-0"	60	3.8	610	930
ELF 9-5	5000	9	5'-0"	70	3.8	720	1367
ELF 16-4	6000	16	4'-0"	100	5.1	830	1620
ELF 16-5	7500	16	5'-0"	120	5.1	1070	1850
ELF 25-5	8500	25	5'-0"	190	6.4	1350	2300
ELF 25-6	10,000	25	6'-0"	230	6.4	1560	2800
ELF 36-5	15,000	36	5'-0"	270	7.7	1980	3750
ELF 36-6	18,000	36	6'-0"	330	7.7	2210	4300
ELF 49-6	22,000	49	6'-0"	450	8.9	2400	5600
ELF 49-8	25,000	49	8'-0"	600	8.9	2690	6500
ELF 64-8	30,000	64	8'-0"	443	10.2	3500	7800
ELF 64-10	35,000	64	10'-0"	590	10.2	3880	8600



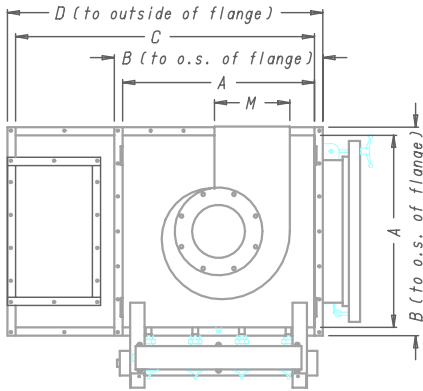
# CORPORATION

P.O. BOX 8446  
 MEMPHIS, TENNESSEE 38108  
 PH. (901) 452-0230  
 FAX (901) 452-0264

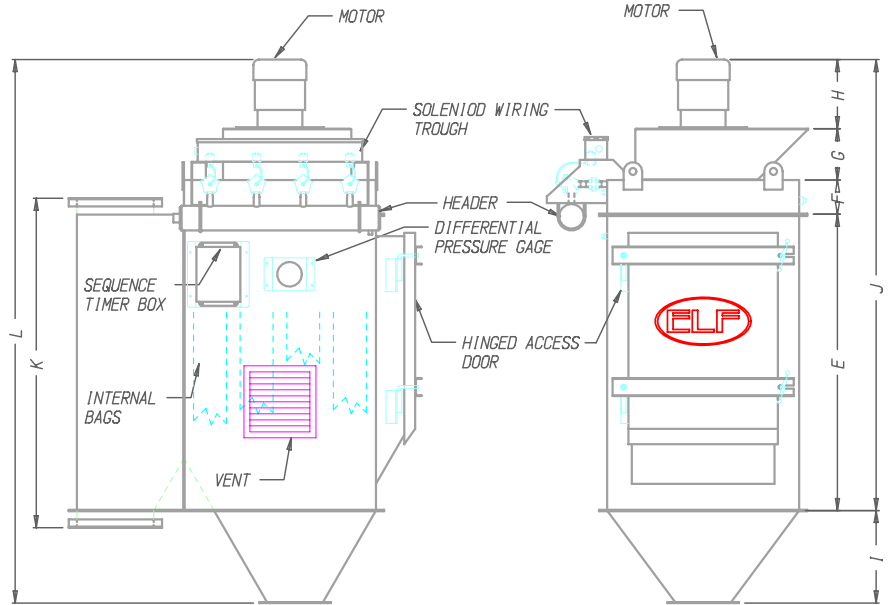
## COMPRESSED AIR SQUARE "ELF" ELEVATOR LEG FILTER

EFFECTIVE: AUGUST 1, 1996

NOTE: INFORMATION ON THIS PAGE FOR QUOTATION PURPOSES ONLY, NOT FOR CONSTRUCTION UNLESS CERTIFIED. DATA SUBJECT TO CHANGE WITHOUT NOTICE.



TOP VIEW



FRONT VIEW

SIDE VIEW

model #	A	B	C	D	E	F	G	H	J	M	motor size HP
ELF 9-4	27"	30"	47"	50"	54"	6 1/2"	7 15/16"	10 3/16"	6'-8 1/8"	13 3/4"	2
ELF 9-5	27"	30"	47"	50"	5'-6"	6 1/2"	7 15/16"	10 3/16"	8'-8 1/8"	13 3/4"	2
ELF 16-4	35"	38"	55"	58"	54"	6 1/2"	9 13/16"	12 5/16"	7'-0 1/8"	13 3/4"	3
ELF 16-5	35"	38"	55"	58"	5'-6"	6 1/2"	9 13/16"	12 5/16"	9'-0 1/8"	13 3/4"	3
ELF 25-5	44"	47"	5'-4"	5'-7"	5'-6"	6 1/2"	8 15/16"	13 5/16"	9'-0 1/4"	16 7/8"	5
ELF 25-6	44"	47"	5'-4"	5'-7"	6'-6"	6 1/2"	8 15/16"	13 5/16"	11'-0 1/4"	16 7/8"	5
ELF 36-5	54"	57"	6'-2"	6'-5"	5'-6"	12"	13 3/8"	15 7/8"	10'-0 3/4"	20 1/2"	10
ELF 36-6	54"	57"	6'-2"	6'-5"	6'-6"	12"	13 3/8"	15 7/8"	12'-0 3/4"	20 1/2"	10
ELF 49-6	5'-4"	5'-8"	7'-0"	7'-4"	6'-6"	12"	14 3/8"	17 1/4"	10'-3 5/8"	20 1/2"	15
ELF 49-8	5'-4"	5'-8"	7'-0"	7'-4"	8'-6"	12"	14 3/8"	17 1/4"	12'-3 5/8"	20 1/2"	15
ELF 64-8	6'-2"	6'-6"	7'-10"	8'-2"	8'-6"	12"	16"	19"	10'-3 5/8"	20 1/2"	15
ELF 64-10	6'-2"	6'-6"	7'-10"	8'-2"	10'-6"	12"	16"	19"	12'-3 5/8"	20 1/2"	15